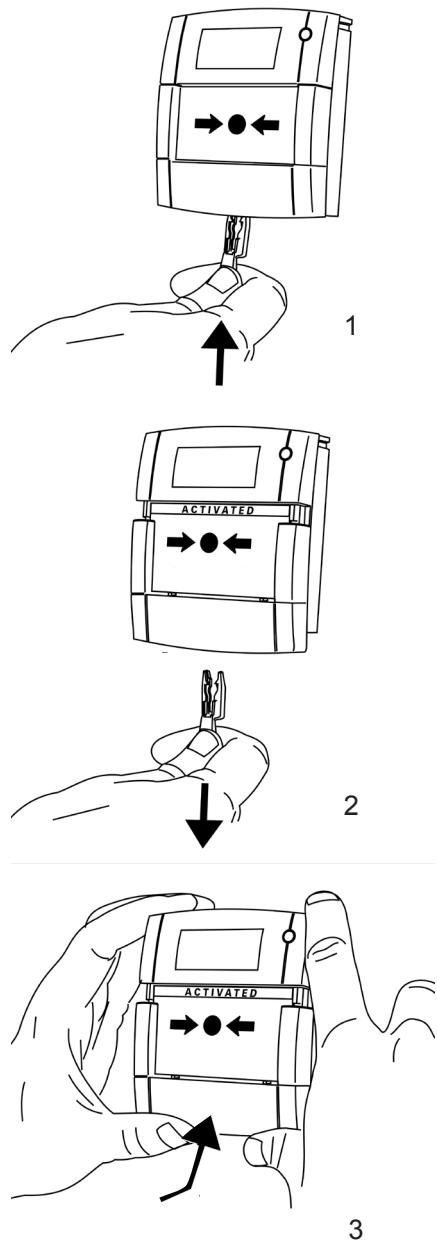
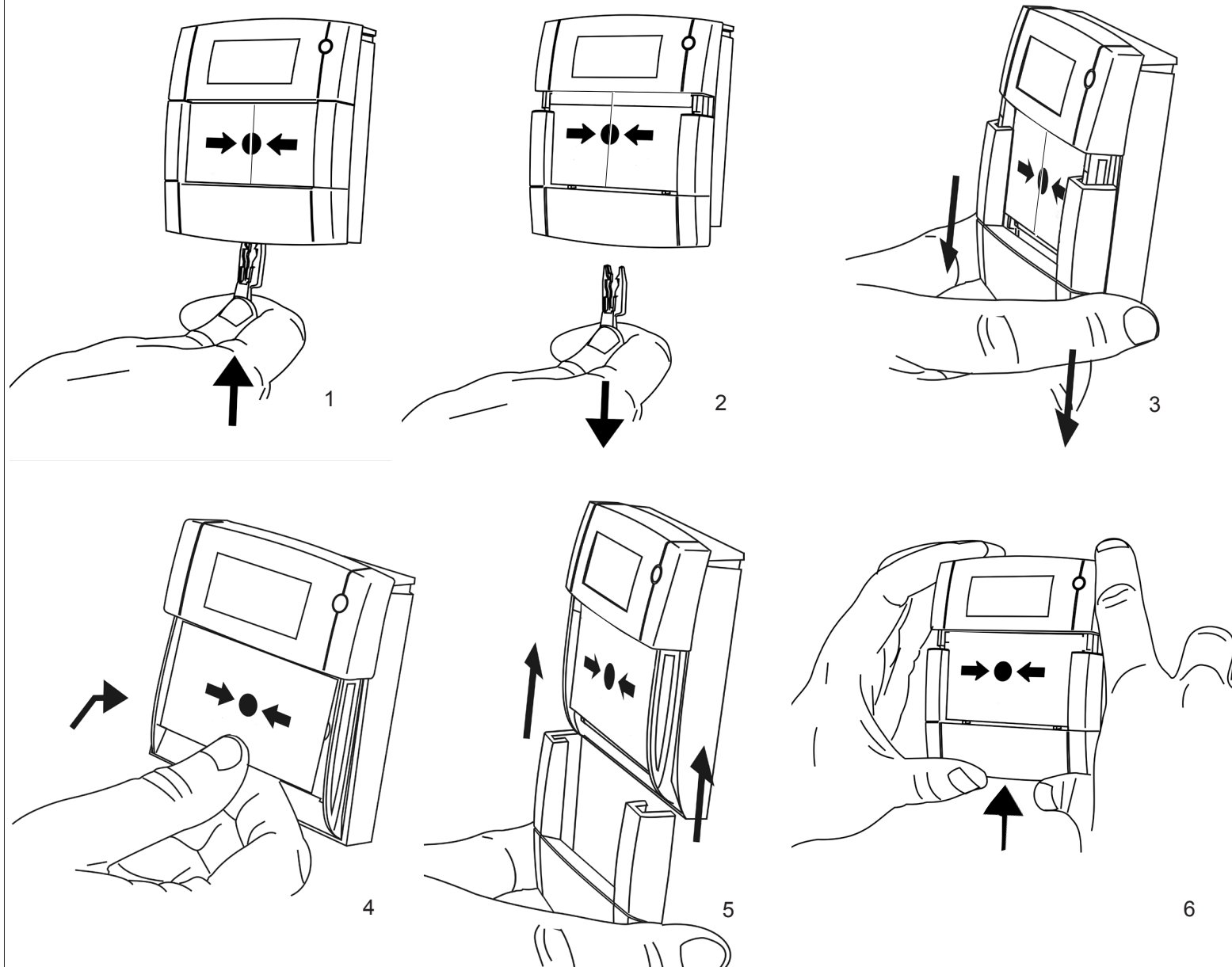
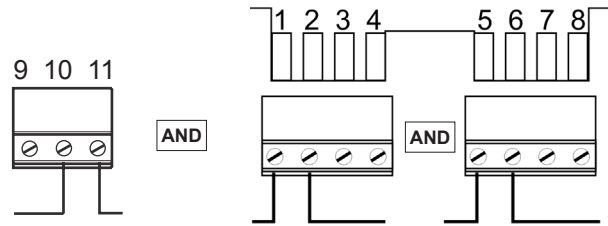


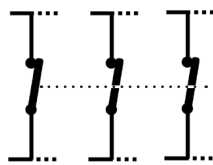
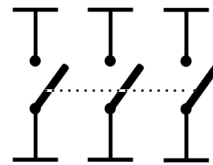
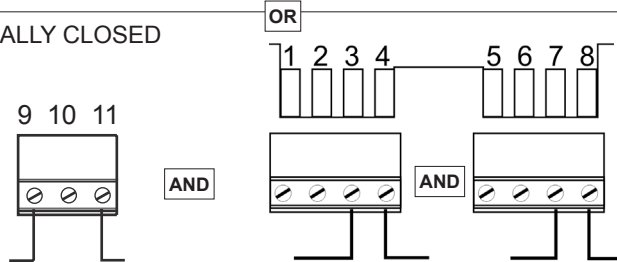
**TO TEST & RESET****TO REPLACE GLASS / INTERCHANGE BETWEEN RESETTABLE AND GLASS ELEMENT**

## CONNECTION DETAILS M8A-X

NORMALLY OPEN



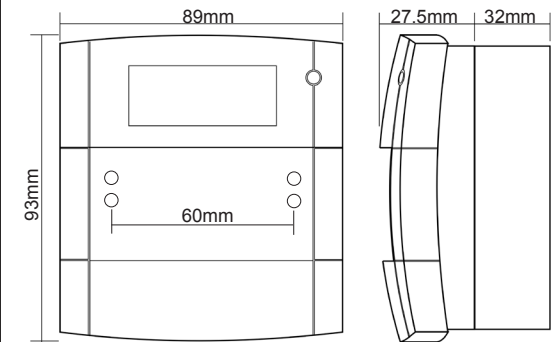
NORMALLY CLOSED



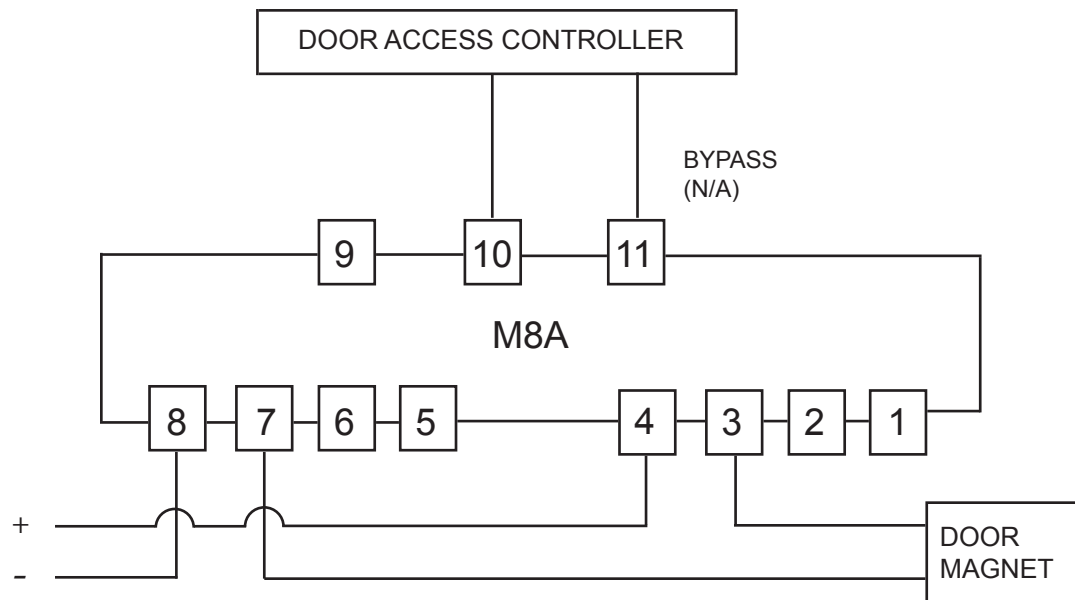
**M** in the code (left) represents – manual call point,  
**8** - model Type (Triple pole),  
**A** - normal (not sawwire),  
**X** - represents the final digits of the part number, which indicate colour, electrical version, mounting options and element type.

eg M8A –G000SF =  
 (Green, Clean contact, Surface, Flexible element)

## DIMENSIONS

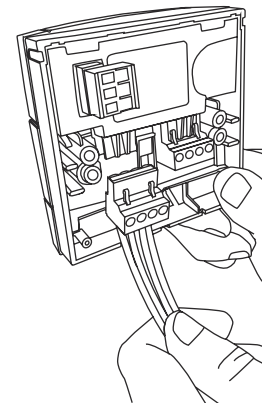


## EXAMPLE OF USE



NOTE:EXAMPLE ONLY.  
 ALL SWITCHES ARE CHANGE OVER

## PUSH FIT CONNECTOR



After wiring the terminal connector, plug into the appropriate position, see connection details (left).

## TECHNICAL DATA

- 30VDC Max
- 2A Max
- IP24D
- 180g
- 10°C to 55°C
- Green, Ral 6016

**Important Notes; -**  
 Please do not over tighten fixing screws.  
 The use of lubricants, cleaning solvents or petroleum based products should be avoided.



KAC ALARM COMPANY LIMITED,  
 Thornhill Road, Redditch, Worcestershire,  
 England. B98 9ND.

MCP8