



## Electrical Specification

Operating Voltage: 9 to 33VDC (Approved to 10-14V and 21-27V)  
Sound Output: up to 92db(A) @1m

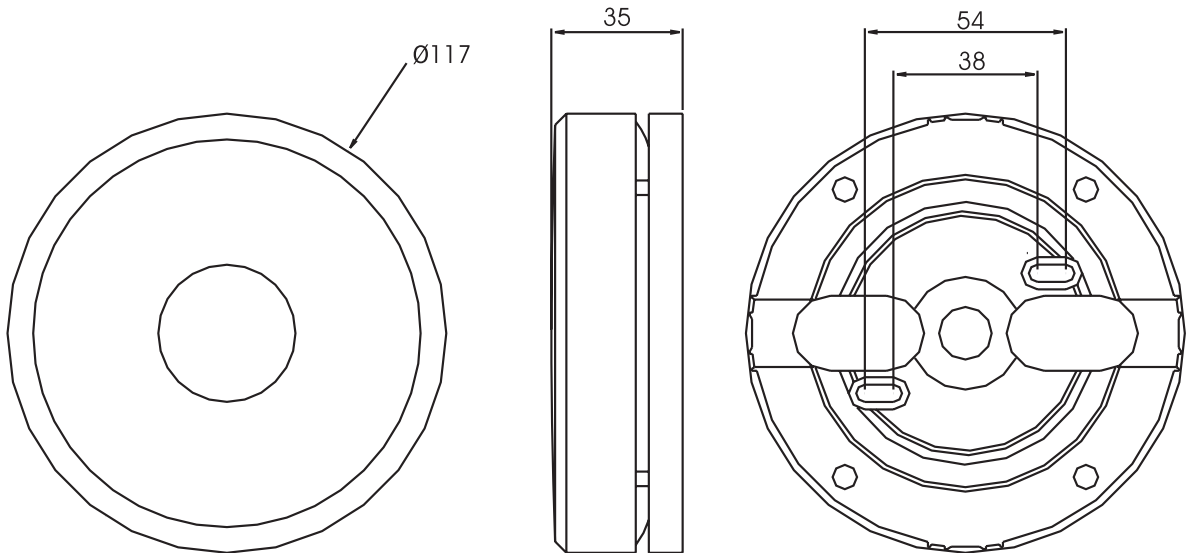
## Environmental Specification

Operating Temperature: -25°C to 70°C (with sealing kit)  
Relative Humidity: Up to 96% @ 55°C  
Ingress Protection: IP24D

For RoHS, WEEE & REACH information please see [www.kac.co.uk](http://www.kac.co.uk)

## Mechanical Specification

Diameter: 117mm  
Depth: 35mm  
Colour: White  
Weight: 200g  
Material: PC/ABS  
Cable Termination : 0.5-2.5mm<sup>2</sup>



## Ordering Information

Model	Description	Colour
DBS1224B4W	Detector Base Sounder, 4 Tone	White
Accessories		
DBSLIDR	Detector Base Sounder Lid,	Red
DBSLIDW	Detector Base Sounder Lid,	White

### > KAC Alarm Company Ltd

KAC House, Thornhill Road,  
North Moons Moat, Redditch,  
B98 9ND, United Kingdom  
Tel: +44 (0) 1527 406655  
Fax: +44 (0) 1527 406677  
e-mail: [marketing@kac.co.uk](mailto:marketing@kac.co.uk)

**KAC**

# KAC Audible Visual Range

## EMA Detector Base Sounder



### > Product Benefits

- 4 Tone sounder
- High sound output, low current consumption
- High reliability and stable performance
- Volume control
- Lid accessory available to enable vertical installation
- Designed and approved to EN54-3
- CE marked
- Unobtrusive low profile



### Product Overview

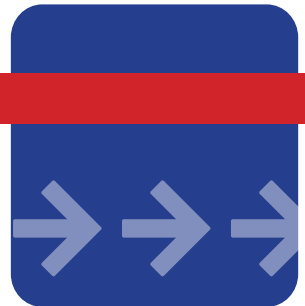
Our conventional audible visual devices operate over a wide input voltage range of 9 to 33VDC and are optimised for use on 12V and 24V systems, making them suitable for use in both fire and security applications.

The conventional range of detector base sounders are available in standard 4 tone version in a white colour with locally controllable output levels to enable the sound intensity to be adjusted to suit the application.

The detector base sounders are suitable for fire detectors with 60mm mounting centres. The sounders can also be fitted with a red or white lid in place of a fire detector, enabling them to be positioned vertically on the wall. This arrangement provides an extremely low profile unit which is unobtrusive and protrudes only 35mm from the wall.

The distinctive low profile shape is acoustically very efficient, producing an omni-directional high sound output at low current levels. Rugged construction with solid state electronics also provides high reliability and stable performance.

All wall mount sounder products ensure full compliance as they are designed and approved to EN54-3 and also CPD (Construction Products Directive) approved.



**KAC**

EMA-DBS  
Rev. No.5