

ENscape KAC

Fast Installation, Safe Evacuation

CONVENTIONAL
AUDIBLE VISUAL



Setting the Standard with ENscape EN54-23 and how it affects you

EN54-23 is a new European standard for Visual Alarm Devices (VADS). Its purpose is to ensure that light output is defined in a uniform manner across Europe. This means that all beacons used as a primary method of notification must have the capability to alert all members of society to an evacuation including the hearing impaired.

Key requirements

The standard sets a base level for performance. Each model must be tested by the manufacturer to establish a light coverage envelope. Compliance is **mandatory under European law from 1st January 2014 in Europe**. It affects all fixed installation pulsing or flashing devices that use software for their operation, e.g. LED, Xenon or rotating beacons.

Applications

EN54-23 affects many applications helping to ensure safe evacuation in a variety of scenarios and locations:

- Areas where people may be alone e.g. hotel rooms and public conveniences
- Environments with high levels of ambient noise - machine rooms, gymnasiums, auditoriums
- Public escape routes - corridors and stairwells
- Care homes and accommodation for the elderly
- Leased commercial or residential properties
- Buildings with rooms equipped for the disabled

C,W & O Categories

EN54-23 requirements are broken down into three categories: W, Wall; C, Ceiling, and O, Open. W Category devices are assessed in terms of the dimensions of the cube of light they cover and C Category devices are assessed as the diameter of a cylinder of light. The coverage of an O category device is a cuboid of light, defined by the manufacturer as independent of the EN54-23 height/placement requirements.

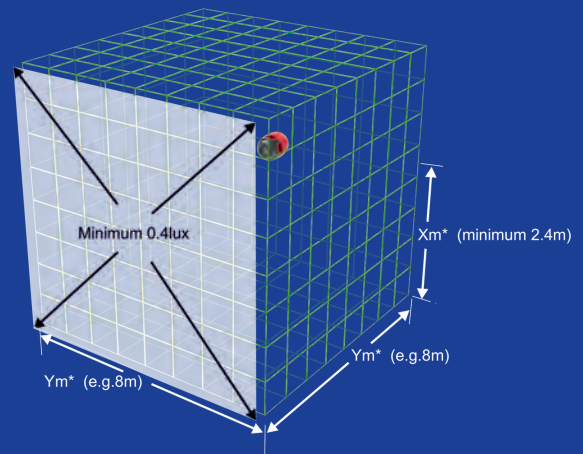
We make compliance easy

We understand that negotiating European Fire Standards can be challenging, that's why our expert team is on hand to offer advice and guidance, helping you choose the compliant device for a specific application.

Defined light coverage for wall mount (W Category) applications

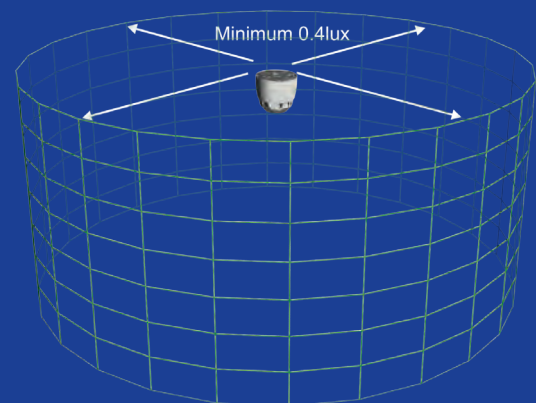
A cube of light with a minimum of 0.4 Lumens/m²

X & Y dimensions are defined by the device manufacturer



Defined light coverage for ceiling mount (C Category) applications

The diameter of a cylinder of light with a minimum of 0.4 Lumens/m²



Open Category (O Category) applications

The coverage of an O Category device is a cuboid of light, defined by the manufacturer as independent of the EN54-23 height/placement requirements.

Fast Installation, Safe Evacuation

- > In the event of a fire, a robust evacuation system saves lives. The ENScape AV range doesn't just offer regulatory compliance to new EN54-23 Standards for Visual Alarm Devices; it enhances on-site safety for all building occupants through benchmark performance and delivers fast and intuitive installation - reducing risk and cost.

Complete safety without compromise

Every day our solutions protect thousands of commercial and industrial facilities, ensuring safe evacuation.

We appreciate the intrinsic needs of safety professionals and specifiers and understand that compliance to the latest standards is only part of the story; solutions must also deliver affordability, intuitive use and seamless integration into diverse infrastructures.

The ENScape AV Range of conventional wall and ceiling mount sounders, beacons and combined sounder/beacon units addresses and exceeds these needs, providing a flexible solution that takes enhanced safety to the next level.

- Full approval - EN54-23, EN54-3, CPR, RoHS
- Consistent light coverage at any orientation
- High performance sound output - 32 approved tones
- Universal device for wall and ceiling mount
- Choice of red or white flash
- Flexible installation options



Universal Device Range

See the light with ENscape Beacons

- > With approval to the new EN54-23 standard for Visual Alarm Devices (VADs), ENscape beacons use high output LEDs, advanced optics and a state-of-the-art lens design delivering unbeatable illumination. Further flexibility is achieved through the provision of omni-directional light output at low current draw and a choice of red and white light flash options.
- Omni-directional light output allows fast installation with no need for device orientation, ensuring consistent coverage
- High output LEDs meet EN54-23 requirements for 0.4 Lux illumination over entire stated coverage area
- Synchronised flash rate across devices exceeds standard
- Maximum illumination capacity reduces number of devices required
- Red and white light flash options provide the flexibility to meet diverse customer requirements
- Low current draw and extended operational life
- Full compliance to EN54-23 C and W categories
- Soft start feature reduces power surge
- Suitable for wall and ceiling mount applications



Safe and sound with ENscape sounders

- > With approval to EN54-3, ENscape sounders combine high output audio technology with the flexibility to meet the evacuation needs of any facility or building. A variety of tones and alarm settings enhance safety and provide maximum flexibility.
- Unique folded horn design achieves high sound capacity (average output of 100 dB dependent on tone)
- 32 tones (all approved to EN54-3) including a bell tone
- First fix wiring capability enables flexible installation
- Adjustable volume settings with easy dip switch access and low current draw
- Round, compact design with uniform sound output permits easy installation anywhere, reducing costs
- Two stage alert and alarm settings allowing for phased evacuations



Light and sound in a single solution with ENscape Sounder beacons (VADs)

> ENscape Combined units deliver exceptional sound and light provision in a single device. Designed to meet the needs of fire applications, these units are available with red or white flash, delivering synchronised audible and visual cues to ensure the safest evacuation possible.

- High sound capacity (average output of 100 dB)
- 32 tones (approved to EN54-3) including a bell tone
- Compact design with omnidirectional light and sound allows fast installation
- High output LEDs meet EN54-23 requirements (0.4 Lux)
- Synchronised flash exceeds EN54-23 standard
- Maximum illumination reduces number of devices required
- Low current draw and extended operational life
- Available in red or white bodies
- Approved to C, W and O Categories
- Suitable for wall and ceiling mount applications
- Flexible alarm configuration allows for phased evacuations



Sounders with Supplementary Indicator

> The ENscape range includes sounders with supplementary indicators for use where a sounder is required as the primary method of notification but a supplementary indicator would also be of benefit.

- Approved to EN54-3, not EN54-23
- Choice of red or white body with red or amber lens options
- Range of installation and base options
- Flexible alarm configuration for phased evacuations
- High performance omni-directional light and sound output
- 32 tones approved to EN54-3, including a new bell tone
- Low current draw and extended operational life
- Round, compact design permits ease of installation
- Suitable for wall and ceiling mount applications



Seamless integration into any setting

The ENscape range features a round, compact design that easily integrates into any location or setting. Body colours are available in red or white and great flexibility is offered through a choice of bases, including low profile IP 21 C rated models designed to offer a variety of fixing and wiring options and IP 65 rated deep bases offering moisture or dust ingress protection.

Fast installation with ENscape

The ENscape range has been designed specifically to address traditional installation issues, providing an intuitive, simple and fast solution to AV evacuation system integration that reduces installation and commissioning costs.



Easy first fix via snap on terminal block



Maximum quarter turn for product engagement

- No device orientation - allowing ENscape devices to be positioned easily on walls or ceilings
- Large, multiple direction cable entry access and full range of fixing centres
- First fix wiring option terminal block - permitting electrical continuity testing prior to final device fit, reducing install time and cost
- Tactile engagement feedback allowing engineer to feel the correct fix of device to base through a confident click
- Easy dip switch access for simplified volume and tone setting
- Ceiling mount height flexibility with low impact on coverage envelope (3m/6m/9m for white flash beacons and 3m/6m for red flash beacons)
- Enhanced coverage reduces density of devices required saving time and cost

These aspects combine to reduce installation time and associated costs, providing installers with one of the easiest AV evacuation integration capabilities available in the market.



A trusted expert in life safety

- > With over 40 years of experience innovating call point and AV evacuation solutions, KAC sets the standard for safety, delivering pioneering technology that offers more protection, more performance, more value and less cost over product life than any comparable solution.

Every day our products help safety professionals and businesses protect their most valuable assets - the people in their buildings. We know how precious life is and this is why we pride ourselves on exceeding industry standards with customer focused solutions that enable the safest evacuations possible.

Fast Installation, Safe Evacuation





> KAC Alarm Company Limited
KAC House
Thornhill Road
North Moons Moat
Redditch, B98 9ND
United Kingdom

Sales

Telephone: (UK): 0845 601 5675
(Outside UK): +44 (0) 1527 406688

Fax: +44 (0) 1527 406699

E-mail: sales@kac.co.uk

Technical

Telephone: (UK): 0845 601 5675
(Outside UK): +44 (0) 1527 406655

Fax: +44 (0) 1527 406677

E-mail: technical@kac.co.uk

www.kac.co.uk