

KAC Audible Visual Range

Intelligent Integrated Detector Base Sounder Strobe Advanced Protocol



> Product Benefits

- Reduces the total cost of installation
- Common installation base
- Optimised performance increases amount of devices on an intelligent loop
- Single point of installation
- Simple commissioning procedure
- Fault finding made easy
- Fully approved and compliant with EN54-3 & EN54-17:2005 standard and Construction Products Directive (CPD)
- Anti-tamper feature
- In built isolation version available



Product Overview

The new intelligent Integrated Detector Base Sounder/Strobe is compatible with the latest advanced protocol, which allows 159 output devices on one intelligent loop. It has been designed to reduce significantly the total cost of installation. Product performance has been optimised to allow the maximum permissible number of devices to be installed on an intelligent loop.

The Integrated Detector Base Sounder/Strobe is installed in exactly the same manner as an intelligent fire detector. A separate, common installation base, which accepts any product within the KAC Audible Visual product family, is installed at first fix. This common base is fitted with a shorting spring, enabling loop continuity to be maintained without having to install any KAC Audible Visual product. It also removes the need to separately test the wiring. As the Integrated Detector Base Sounder/Strobe itself does not have to be installed until final commissioning, there is no risk of damage during first fix.

The common installation base is available in low profile or surface versions to enable the Integrated Detector Base Sounder/Strobe to be installed either flush or surface mounted.

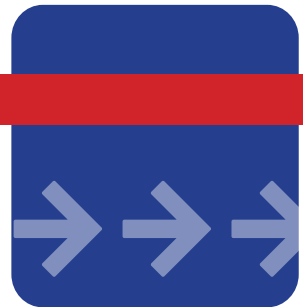
At final commissioning, the Integrated Detector Base Sounder/Strobe simply twists in to the base and the installation is complete. This simple but effective concept significantly reduces the time and cost of installing audible visual warning devices when compared with previous designs. In addition, fire systems designers benefit from the flexibility of being able to change the type of installed device if the protected building is reconfigured by the occupiers.

Fault finding is also made easy. The suspect device is removed with a simple twist action without having to disconnect any loop wiring; a replacement is then mounted into the base.

By utilising the latest developments in piezoelectric transducer and high output LED array technology, the Integrated Detector Base Sounder/Strobe is highly efficient. Current consumption is minimised, enabling the maximum number of devices to be installed on a loop, without compromising on sound and light output levels. When installed with a System Sensor detector, the combined unit also provides multiple technologies at a single point of installation.

The Integrated Detector Base Sounder/Strobe is third-party approved to EN54-3 and the Constructions Product Directive (CPD). To comply with EN54-3, the Integrated Detector Base Sounder/Strobe has an anti-tamper feature which prevents the removal of the unit without the use of a tool.

The Integrated Detector Base Sounder/Strobe is supplied with 32 tones and high, medium and low volume settings, which are selectable by DIL switches. A version of the Integrated Detector Base Sounder/Strobe with in built isolation is also available.



Electrical Specification

Supply Voltage:	15 to 32VDC (Non-isolation) 15 to 28VDC (Isolation)
Standby Current:	110µA (Non-Isolation) 220µA (Isolation)
Max current consumption sounder and strobe (High Volume Tone 5 @24V)	< 8.7mA
Max Sound Output (High Volume Tone 8 @24V)	95dB(A) +/- 3dB @ 1metre [Tone Dependant – Figure stated based upon High Volume 970Hz continuous @24VDC]
Strobe Flash Rate:	1Hz

Environmental Specification

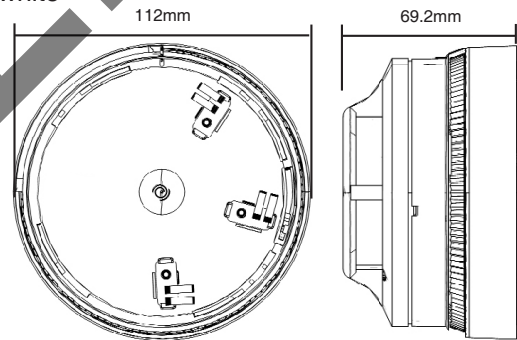
Operating Temperature:	-25°C to 70°C
Relative Humidity:	Up to 95% non-condensing
Ingress Protection:	IP24 (with low profile base) IP44 (with surface mount base)

For RHOS & WEEE data please see www.kac.co.uk

Mechanical Specification

Colour:	Pantone warm grey 1C or pure white
Weight:	164g
Lens Colour:	Red, Clear# or Amber
Terminal Size:	2.5mm ² max
Number of Tones:	32
Volume Setting:	High, Medium, Low

lens availability dependant on order volume



Ordering Information

Model	Description
IBSST -Dy-Pxx	Integrated detector base sounder strobe, advanced protocol, detector white, various lens
IBSST -Py-Pxx	Integrated detector base sounder strobe, advanced protocol, pure white, various lens

Where y indicates lens colour : R = Red, A = Amber, C = Clear

xx = 01, 03, 05, 07,....99 indicates non-isolated version

xx = 02, 04, 06, 08,....98 indicates isolated version

Base	Description
LPBW	Low Profile base
SDBD	Surface mount base, Detector White & Low Profile Base
SDBP	Surface mount base, Pure White & Low Profile Base

> KAC Alarm Company Ltd

KAC House, Thornhill Road,
North Moons Moat, Redditch,
B98 9ND, United Kingdom
Tel: +44 (0) 1527 406655
Fax: +44 (0) 1527 406677
e-mail: marketing@kac.co.uk