

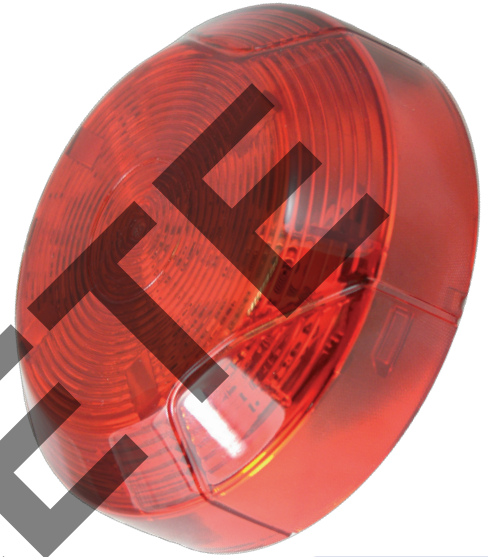
KAC Audible Visual Range

Intelligent Wall Mount Strobe Advanced Protocol



> Product Benefits

- Reduces the total cost of installation
- Common installation base
- Optimised performance increases amount of devices on an intelligent loop
- Suitable for indoor and applications up to IP65
- Simple commissioning procedure
- Fault finding made easy
- Anti-tamper feature
- In built isolation version available



Product Overview

The new intelligent Wall Mount Strobe has the latest advanced protocol, which allows 159 output devices on one intelligent loop. It has been designed to reduce significantly the total cost of installation. Product performance has been optimised to allow the maximum permissible number of devices to be installed on an intelligent loop.

The Wall Mount Strobe is installed in exactly the same manner as an intelligent fire detector. A separate, common installation base, which accepts any product within the KAC Audible Visual product family, is installed at first fix. This common base is fitted with a shorting spring, enabling loop continuity to be maintained without having to install any KAC Audible Visual product. It also removes the need to separately test the wiring. As the Wall Mount Strobe itself does not have to be installed until final commissioning, there is no risk of damage during first fix.

The common installation base is available in low profile, surface or weatherproof versions to enable the Wall Mount Strobe to be installed in both indoor and more demanding locations.

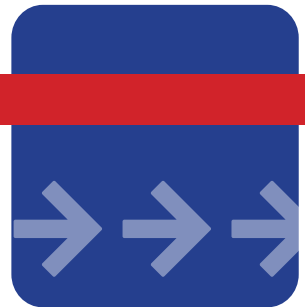
At final commissioning, the Wall Mount Strobe simply twists in to the base and the installation is complete. This simple but effective concept significantly reduces the time and cost of installing audible visual warning devices when compared with previous designs. In addition, fire systems designers benefit from the flexibility of being able to change the type of installed device if the protected building is reconfigured by the occupiers.

Fault finding is also made easy. The suspect device is removed with a simple twist action without having to disconnect any loop wiring; a replacement is then mounted into the base.

By utilising the latest developments in high output LED array technology, the Wall Mount Strobe is highly efficient. Current consumption is minimised, enabling the maximum number of devices to be installed on a loop, without compromising on light output levels.

The Wall Mount Strobe has an anti-tamper feature which prevents the removal of the unit without the use of a tool.

A version of the Wall Mount Strobe with in built isolation is also available.



Electrical Specification

Supply Voltage:	15 to 32VDC (Non-isolation) 15 to 28VDC (Isolation)
Standby Current:	120µA (Non-Isolation) 220µA (Isolation)
Max. Current Consumption:	2.22mA @24VDC
Strobe Flash Rate:	1Hz

Environmental Specification

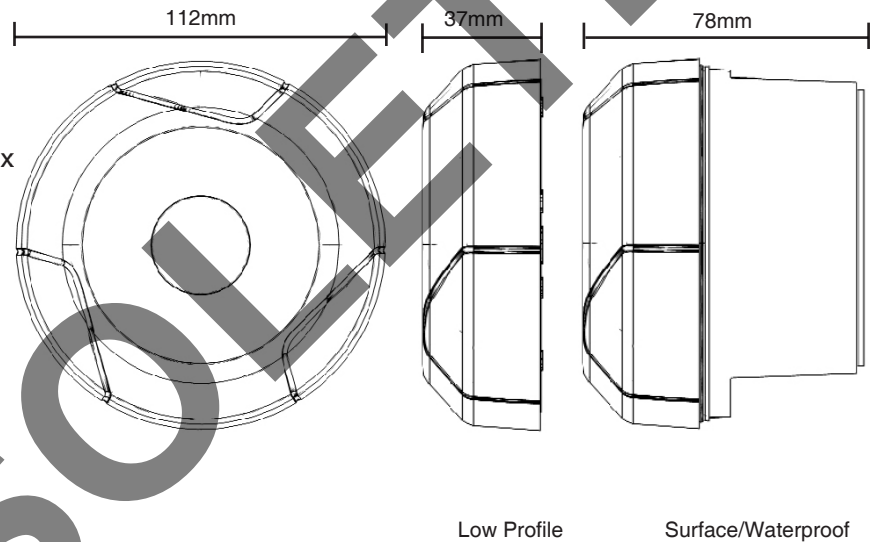
Operating Temperature:	-25°C to 70°C
Relative Humidity:	Up to 95% non-condensing
Ingress Protection:	IP24 (with low profile base) IP44 (with surface mount base) IP65 (Waterproof base)

For RHOS & WEEE data please see www.kac.co.uk

Mechanical Specification

Weight:	104g
Lens Colour:	Red, Clear# or Amber
Terminal Size:	1.5 - 2.5mm ² max

lens availability dependant on order volume



Ordering Information

Model	Description
WMSTR -Wy-Pxx	Wall Mount strobe, advanced protocol, various lens

Where y indicates lens colour : R = Red, A = Amber, C = Clear

xx = 01, 03, 05, 07,....99 indicates non-isolated version

xx = 02, 04, 06, 08,....98 indicates isolated version

Base	Description
LPBW	Low Profile Base
SDBR	Surface Mount Deep Base, Red & Low Profile Base
SDBW	Surface Mount Deep Base, White & Low Profile Base
WDBR	Waterproof Deep Base, Red & Low Profile Base
WDBW	Waterproof Deep Base, White & Low Profile Base

> KAC Alarm Company Ltd

KAC House, Thornhill Road,
North Moons Moat, Redditch,
B98 9ND, United Kingdom
Tel: +44 (0) 1527 406655
Fax: +44 (0) 1527 406677
e-mail: marketing@kac.co.uk

KAC