

MCP Indoor Call Point Range

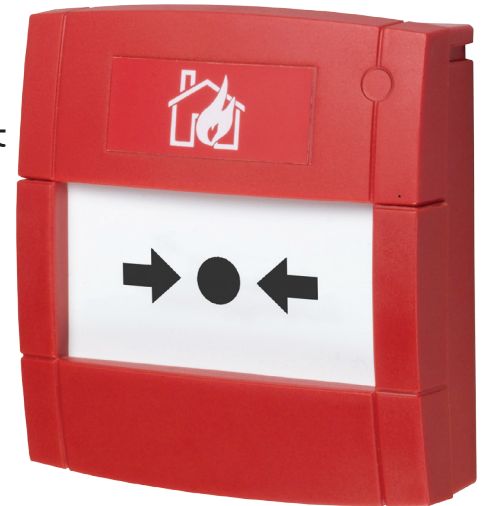
MCP 6V NO/NC

For Mains Voltage Applications (Red Versions)



> Product Benefits

- Designed for mains voltage installations
- Prominent safety warning label for installers
- Total 'Flex-Ability' in the choice of operating element
- Anti-Tamper facility
- Enhanced aesthetics
- Fully approved to the latest standards
- Backwards compatibility



Product Overview

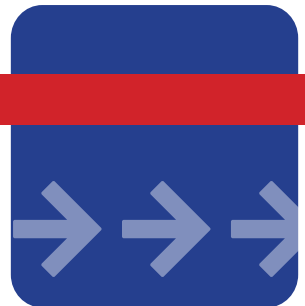
Installation efficiency, flexibility and full compliance with the latest standards are at the heart of the MCP indoor call point range.

As the industry's leading name in call point technology, KAC offers an extensive and unrivalled range of products designed to meet customer needs, whatever the application. Although the majority of fire systems now operate at 24V there are significant numbers of legacy systems throughout the world that still operate on mains voltage. The MCP6V call point has been specifically designed for indoor mains voltage applications using 220V to 240V.

Along with EN54-11 approval, the product has been rigorously tested to ensure it performs on mains voltage systems and there is no access to live areas when installed. The MCP6V also carries a high voltage label to warn the installer that it is suitable for, or connected to a mains voltage system.

Through standards and legislation, both break glass and resettable operating elements can now be used within a manual call point. To provide you with the greatest 'flex-ability', the new MCP range can be configured as either a break glass or resettable unit by simply changing from one element to another. No other additional parts or alternative products need to be ordered.

All MCP indoor call point products also help preserve the integrity of the overall system as illegal removal of the product lid will result in the call point operating and the system going into alarm.



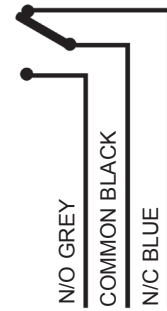


Electrical Specification

Connection Details:	See Figure .1
Cable Termination:	0.5-2.5mm ²
Maximum Voltage:	240VAC
Current Rating (switch only):	2 Amps

Figure .1

MCP6V-X



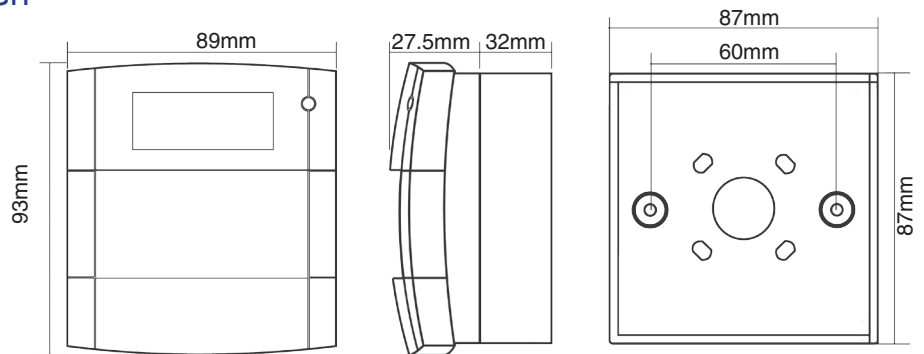
Environmental Specification

Humidity:	<93±3% non-condensing
Operating Temperature:	-10°C to +55°C
Storage Temperature:	-10°C to +55°C
Ingress Protection (IP) Rating:	IP24D

For RoHS, WEEE & REACH information please visit www.kac.co.uk

Mechanical Specification

Material:	PC/ABS
Weight:	130g Flush 180g Surface
Colour:	Red, Ral 3001



Ordering Information

Model	Electrical Configuration	Mounting	Operating	Markings
MCP6V-RC01FF-K013-01	Single pole changeover contact 240VAC	Flush	Flexi	EN54-11
MCP6V-RC01SF-K013-01	Single pole changeover contact 240VAC	Surface	Flexi	EN54-11
MCP6V-RC01FG-K013-01	Single pole changeover contact 240VAC	Flush	Glass	EN54-11
MCP6V-RC01SG-K013-01	Single pole changeover contact 240VAC	Surface	Glass	EN54-11

Accessories

Code	Description
SC070	Pack of Ten Test Keys
KG1 x 5	Pack of Five Glass Elements (<i>Also available in packs of 10, 25 & 50</i>)
PS210	Flexible Operating Element
PS200	Plain Hinged Cover

> KAC Alarm Company Ltd

KAC House, Thornhill Road,
 North Moons Moat, Redditch,
 B98 9ND, United Kingdom
 Tel: +44 (0) 1527 406655
 Fax: +44 (0) 1527 406677
 e-mail: marketing@kac.co.uk

