

# MCP Indoor Call Point Range

## NO/NC Contact Model (Colour Versions)



### > Product Benefits

- Unique 'Plug & Play' installation concept
- Total 'Flex-Ability' in the choice of operating element
- Anti-Tamper facility
- Enhanced aesthetics
- Backward compatibility



### Product Overview

Installation efficiency and flexibility are at the heart of the new MCP Indoor Call Point range.

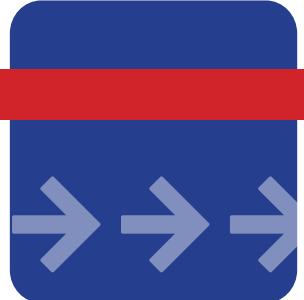
Installation time and ultimately cost, are of paramount importance to any fire or security installer. The MCP range directly reflects this need by providing a unique 'plug and play' concept designed specifically to reduce installation time. All new MCP products utilise a special terminal block, where all initial installation cabling is terminated. This terminal block is then simply connected to the back of the MCP. Simple, but effective with no re-termination required and no time wasted.

Both break glass and resettable operating elements can now be used within a manual call point. To provide you with the greatest 'flex-ability', the new MCP range can be configured as either a break glass or resettable unit by simply changing from one element to another. No other additional parts or alternative products need to be ordered.

All MCP Indoor Call Point products also help preserve the integrity of the overall system as illegal removal of the product lid will result in the call point operating and the system going in to alarm.

The MCP3A product version is supplied with one normally open and one normally closed contact. Selecting either the "Normally Open" or "Normally Closed" contact is easily achieved by simply connecting the terminal block to the required connection in the back of the MCP3 Product. Single pole changeover switching can be achieved with the use of two terminal blocks.

All of our colour products can be supplied with a variety of markings to meet your specific requirements. Please contact our sales team for further information.

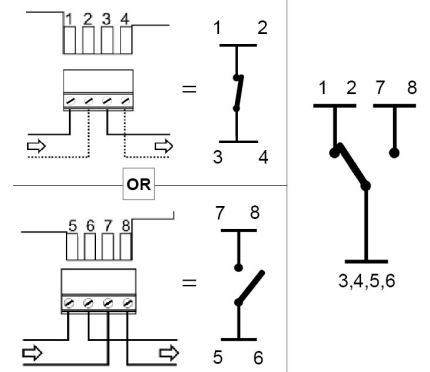




## Electrical Specification

Connection Details: See Figure .1  
 Cable Termination: 0.5-2.5mm<sup>2</sup>  
 Maximum Voltage: 30VDC  
 Current Rating ( switch only): 2 Amps

CONNECTION DETAILS

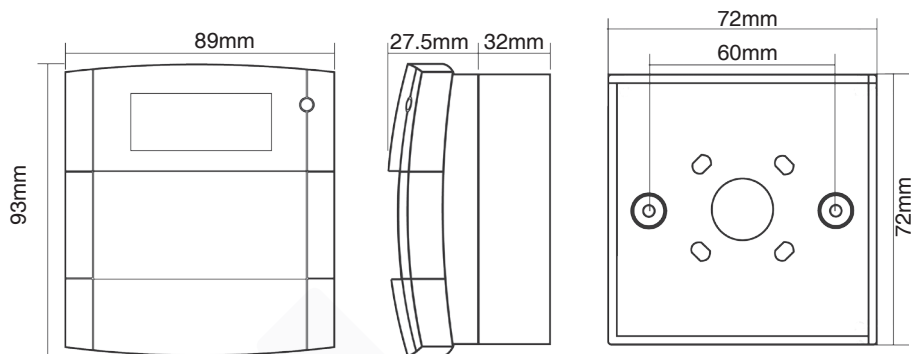


## Environmental Specification

Humidity: 0-95% non-condensing  
 Operating Temperature: -10°C to +55°C  
 Storage Temperature: -10°C to +55°C  
 Ingress Protection (IP) Rating: IP24D

## Mechanical Specification

Material: PC/ABS  
 Weight: 110g Flush  
 160g Surface  
 Colour: Green,  
 White,  
 Yellow,  
 Blue.



## Ordering Information

Model	Electrical Configuration	Colour	Mounting	Operating Element	Markings
MCP3A-W000SG-P088-01	N/O or N/C contact 30VDC	White	Surface	Glass	Emergency Alarm

N/O = Normally Open Contact  
 N/C = Normally Closed Contact

Accessories Code	Description
SC070	Pack Of Ten Test Keys
KG1 x 5	Pack Of Five Glass Elements
PS210	Flexible Operating Element
PS200	Plain Hinged Cover
SC071	Pack Of Ten Terminal Blocks

### > KAC Alarm Company Ltd

KAC House, Thornhill Road,  
 North Moons Moat, Redditch,  
 B98 9ND, United Kingdom  
 Tel: +44 (0) 1527 406655  
 Fax: +44 (0) 1527 406677  
 e-mail: marketing@kac.co.uk

