

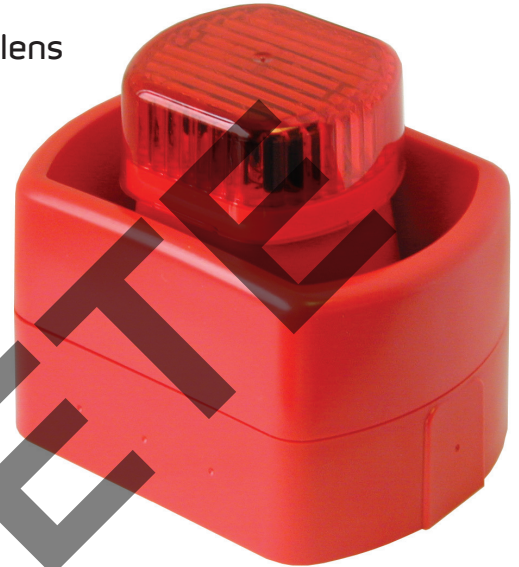
KAC Audible Visual Range

EMA Wall Mount Combined Sounder/ Strobe



> Product Benefits

- 4 Tone version available with either red or amber lens
- High sound output, low current consumption.
- High reliability and stable performance
- Volume control
- Low profile, surface and waterproof mounting options
- 12 and 24VDC versions available
- Designed to meet EN54
- CE marked



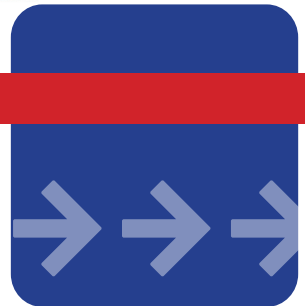
Product Overview

Our conventional audible visual devices operate over a wide input voltage range of 9 to 33VDC and are optimised for use with 12V and 24V systems, making them suitable for use in both fire and security applications.

The conventional range of wall mount combined sounders/strobes are available in either a red housing for 24VDC fire applications or a white housing for 12VDC security/speciality applications and have locally controllable output levels to enable the sound intensity to be adjusted to suit the application. Both versions are designed to give optimum performance at a nominal 24V. The distinctive low profile shape is acoustically very efficient, producing high sound output at low current levels.

The wall mount combined sounder/strobes have a wide angle uniform sound distribution providing good audibility in all directions. Rugged construction with solid state electronics also provides high reliability and stable performance.

All wall mount products are interchangeable into one of three different types of surface mounting base: low profile (IP44), surface (IP55) and waterproof (IP66), enabling any of the units to be used internally or externally as required by the needs of the application.



Electrical Specification

| | |
|--------------------|---|
| Operating Voltage: | 9 to 33VDC (Approved to 10-14V and 21-27V) |
| Current: | 12V 107mA max 24V 37mA max |
| Sound Output: | 12V 97dB(A) @1m @ 800Hz 24V 103dB(A) @1m @ 800Hz |

Environmental Specification

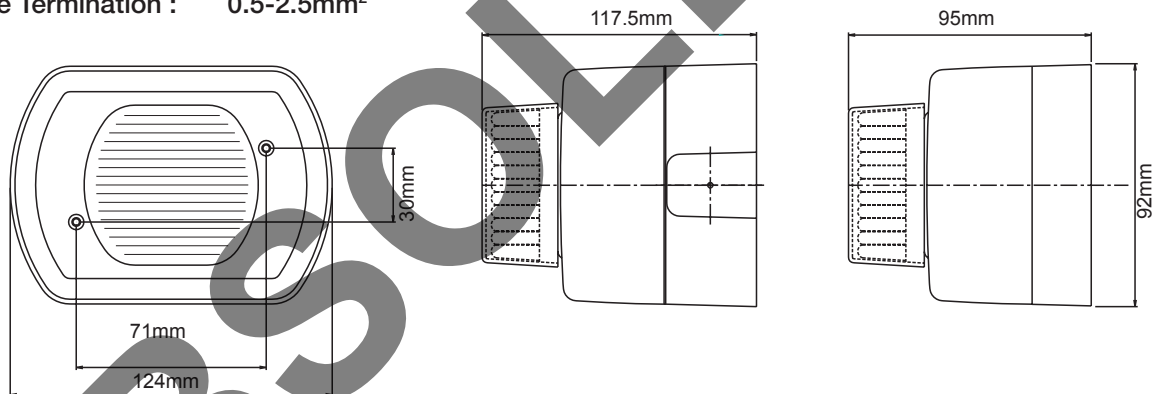
| | |
|------------------------|--|
| Operating Temperature: | -25°C to 70°C (with sealing kit) |
| Relative Humidity: | Up to 93% ± @ 55°C |
| Ingress Protection: | IP44 (with low profile base) IP55 (with surface mount base) IP65 (Waterproof base) |

For RoHS, WEEE & REACH information please see www.kac.co.uk

THIS PRODUCT IS NOT APPROVED TO EN54-23 (VISUAL ALARM DEVICES) AND MUST NOT BE USED AS A VISUAL ALARM DEVICE OR TO PROVIDE A PRIMARY WARNING NOTIFICATION OF FIRE.

Mechanical Specification

| | |
|---------------------|---|
| Height: | 92mm |
| Width: | 124mm |
| Depth: | 72.5mm (excludes depth of mounting box) |
| Colour: | Red or white |
| Weight: | 350g |
| Material: | PC/ABS |
| Cable Termination : | 0.5-2.5mm ² |



Ordering Information

| Model | Description | Colour |
|------------|-------------------------------|--------|
| EMA24BRSS* | Sounder/Strobe, 4 Tone, 24VDC | Red |
| EMA24BWSS* | Sounder/Strobe, 4 Tone, 24VDC | White |
| EMA12BRSS* | Sounder/Strobe, 4 Tone, 12VDC | Red |
| EMA12BWSS* | Sounder/Strobe, 4 Tone, 12VDC | White |

*Denotes lens colour, R=Red, A=Amber, (G=Green and B=Blue. Subject to volume of order)

| Bases Model | Description | Colour |
|-------------|---------------------------|--------|
| ELPBR | Low Profile Mounting Base | Red |
| ELPBW | Low Profile Mounting Base | White |
| ESBR | Surface Mounting Base | Red |
| ESBW | Surface Mounting Base | White |
| ESBRS | Waterproof Mounting Base | Red |
| ESBWS | Waterproof Mounting Base | White |

> KAC Alarm Company Ltd

KAC House, Thornhill Road,
North Moons Moat, Redditch,
B98 9ND, United Kingdom
Tel: +44 (0) 1527 406655
Fax: +44 (0) 1527 406677
e-mail: marketing@kac.co.uk

KAC